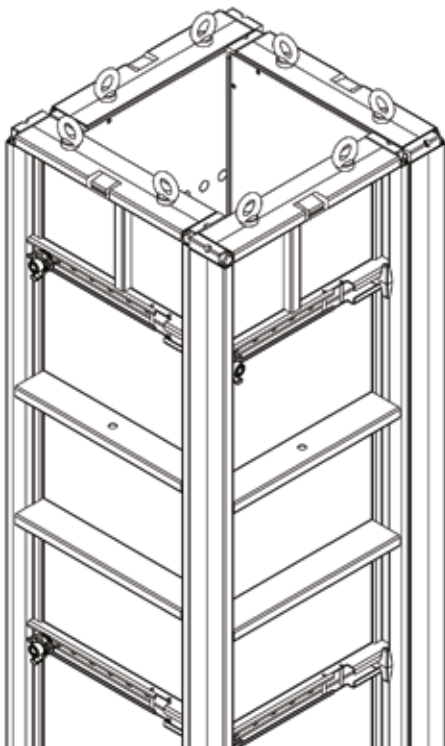


Light formwork of great performance for column forming

Column Formwork

LGR

LGR is a light vertical formwork system created for framing rectangular columns, to be used in residential building.



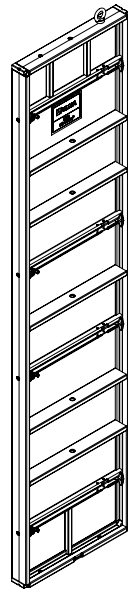
LGR

Column Formwork

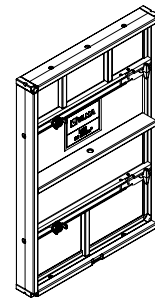


All panels in the system are handset panels.

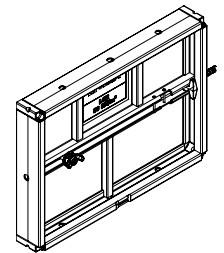
Panel 3 m



Panel 1 m



Panel 0.5 m



System advantages

- Plastic shuttering face enhances durability.
- Maximum permissible concrete pressure: 80 kN/m².
- Panel range:
 - Height: 3 m, 1 m and 0.5 m.
 - Width: 0.7 m and 0.5 m.
- Connecting items are integrated in the panel and cannot be lost. Joining panels is an easy task.

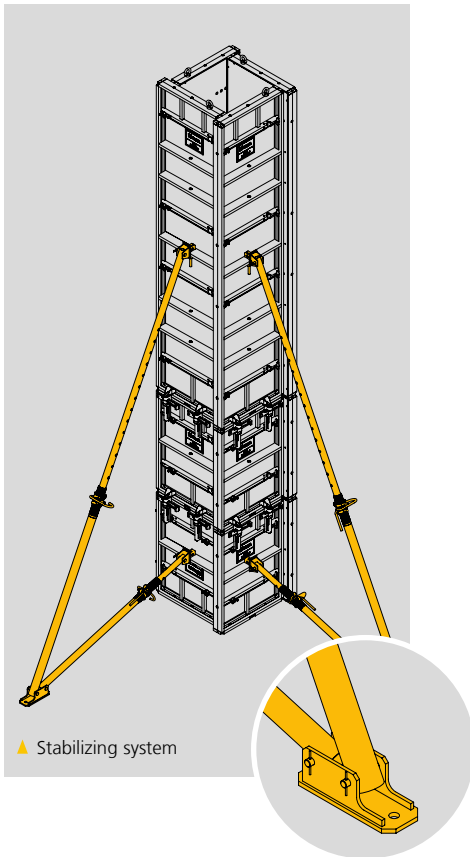
PANEL WIDTH	LGR Panel 0.7 m	LGR Panel 0.5 m
Minimum column section (mm)	250 x 250*	150 x 150
Maximum column section (mm)	600 x 600	400 x 400

*200 x 200 if the board is punched.





- Formwork stabilisation by means of push-pull props and connectors. The largest push-pull prop carries a shoe.



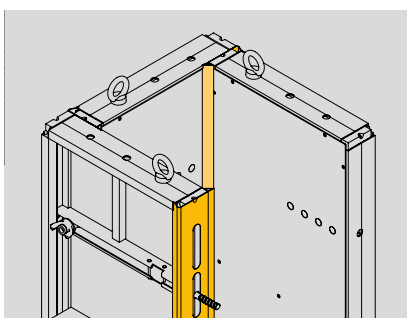
- Option to form dwarf or shear walls connecting laterally 2 panels with NEVI Clamps. The maximum permissible size is 1.3 x 1.3 m.



- Robust system: steel frame with reinforced corners, which guarantees a high durability.
- Reduced number of components.
- Panels are vertically connected with NEVI Clamps. To take into account: maximum height is 5 m and the smaller panels have to be placed in lower position.



- Sharp edges on the columns can be avoided by using Chamfer strips, to be placed between two panels without nailing.



LGR Column Formwork

▶ LONG LIFE PRODUCT



Panels position and connection in mill cross shape



Panels join with two clamps

▶ ELEVATION WITH SECURITY AND SAFETY



The lifting hook must be used following the advices and instructions of ULMA Construcción.



ULMA C y E, S. Coop.

Ps. Otadui, 3 - P.O. Box 13
20560 OÑATI (Guipúzcoa)
SPAIN
Phone: + 34 943 034900
Fax: + 34 943 034920

www.ulma-c.com